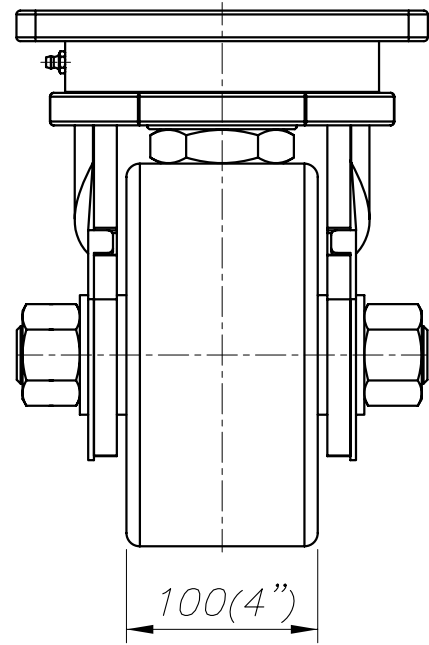
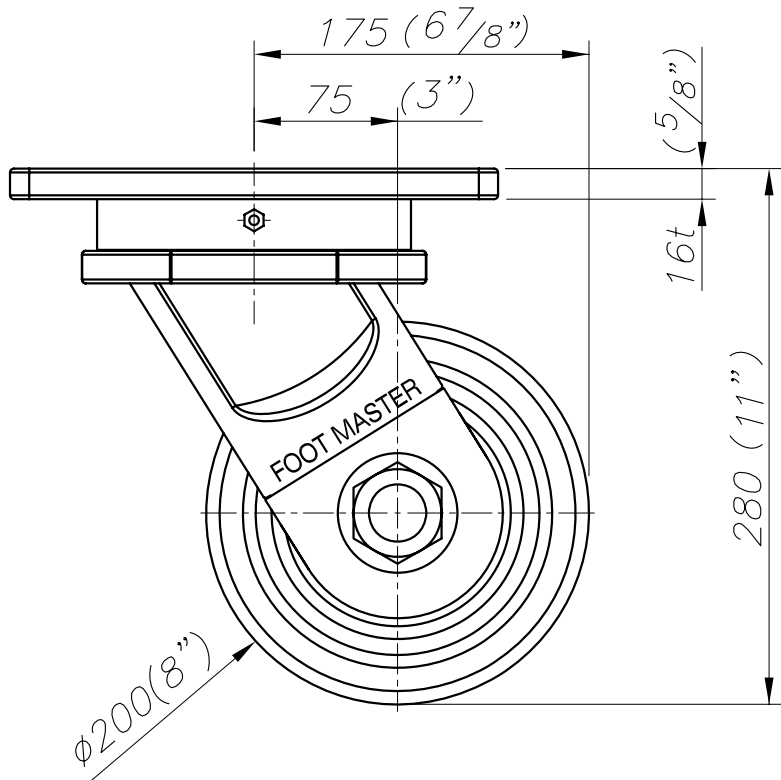
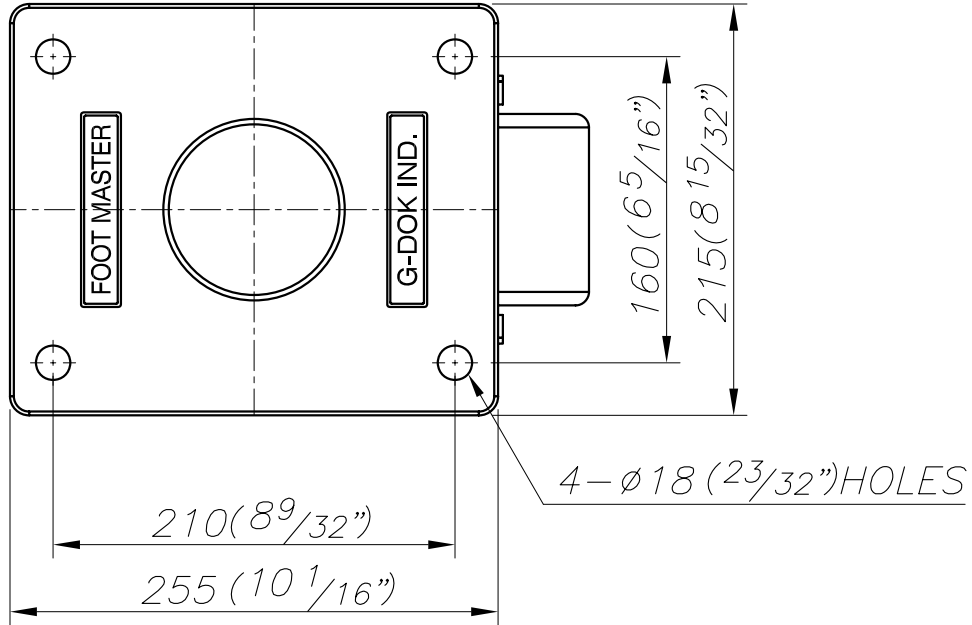


FOOT MASTER

G-DOK IND.

FOOT MASTER

G-DOK IND.



FOOT MASTER ®

FOOMA ®

G-DOK IND.

MODEL NAME

UGXT-200 SF

A

B

C

E

F

G

