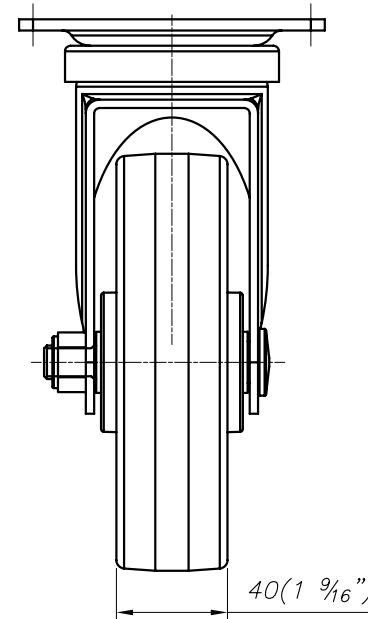
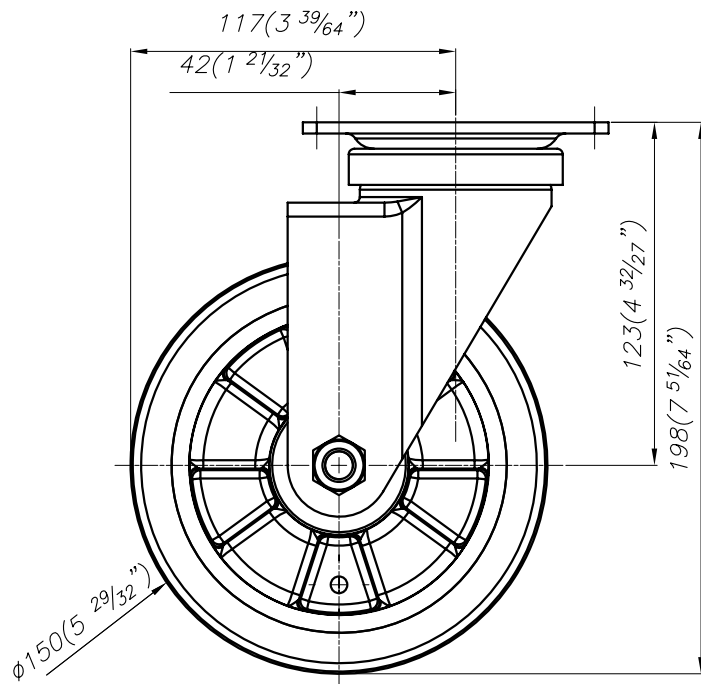


4- $\phi 11(7/16)"$ SLOT HOLES
FOR M10 BOLT



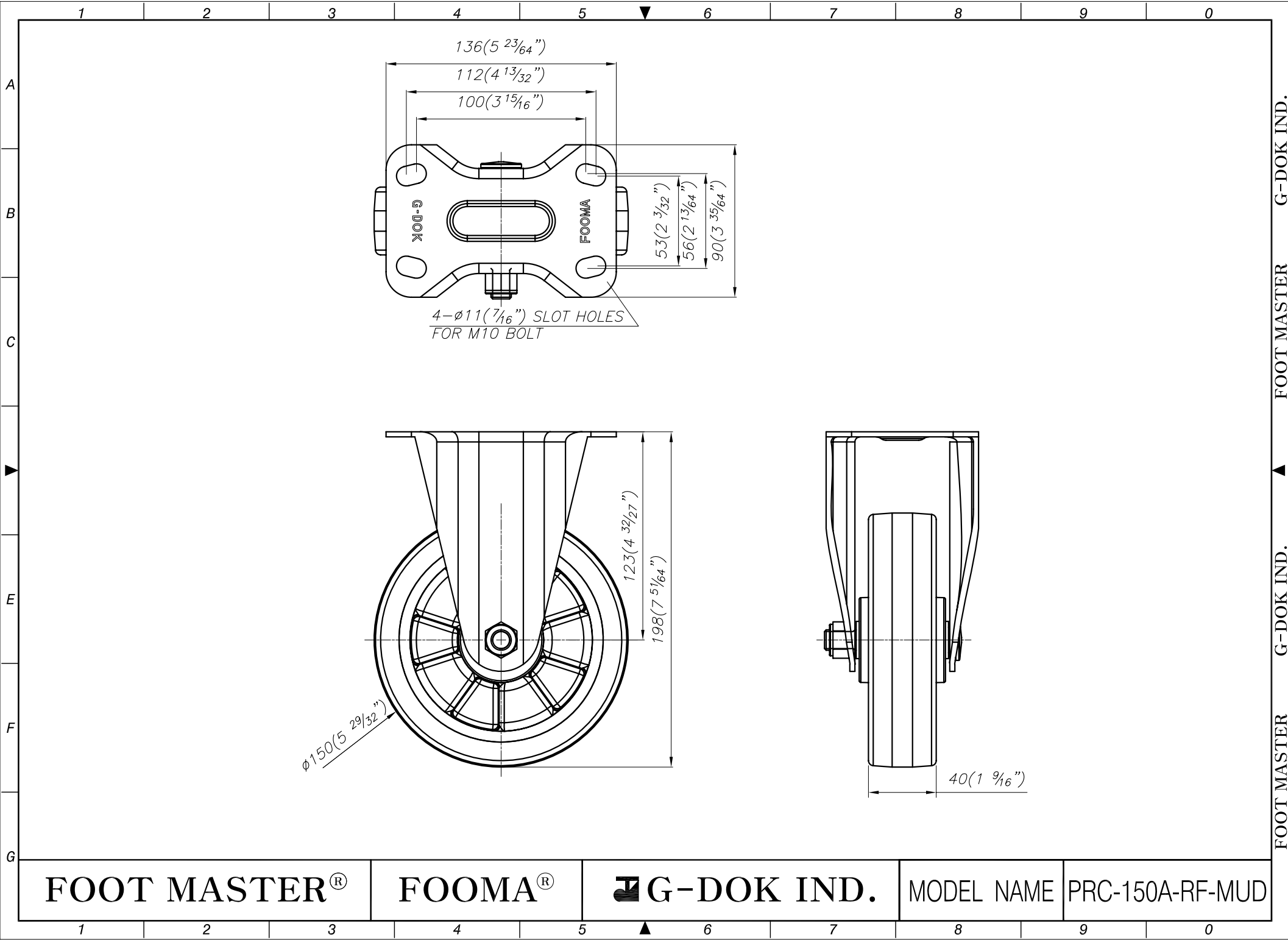
FOOT MASTER®

FOOMA®

G-DOK IND.

MODEL NAME PRC-150A-SF-MUD

FOOT MASTER G-DOK IND. FOOT MASTER G-DOK IND.



FOOT MASTER®

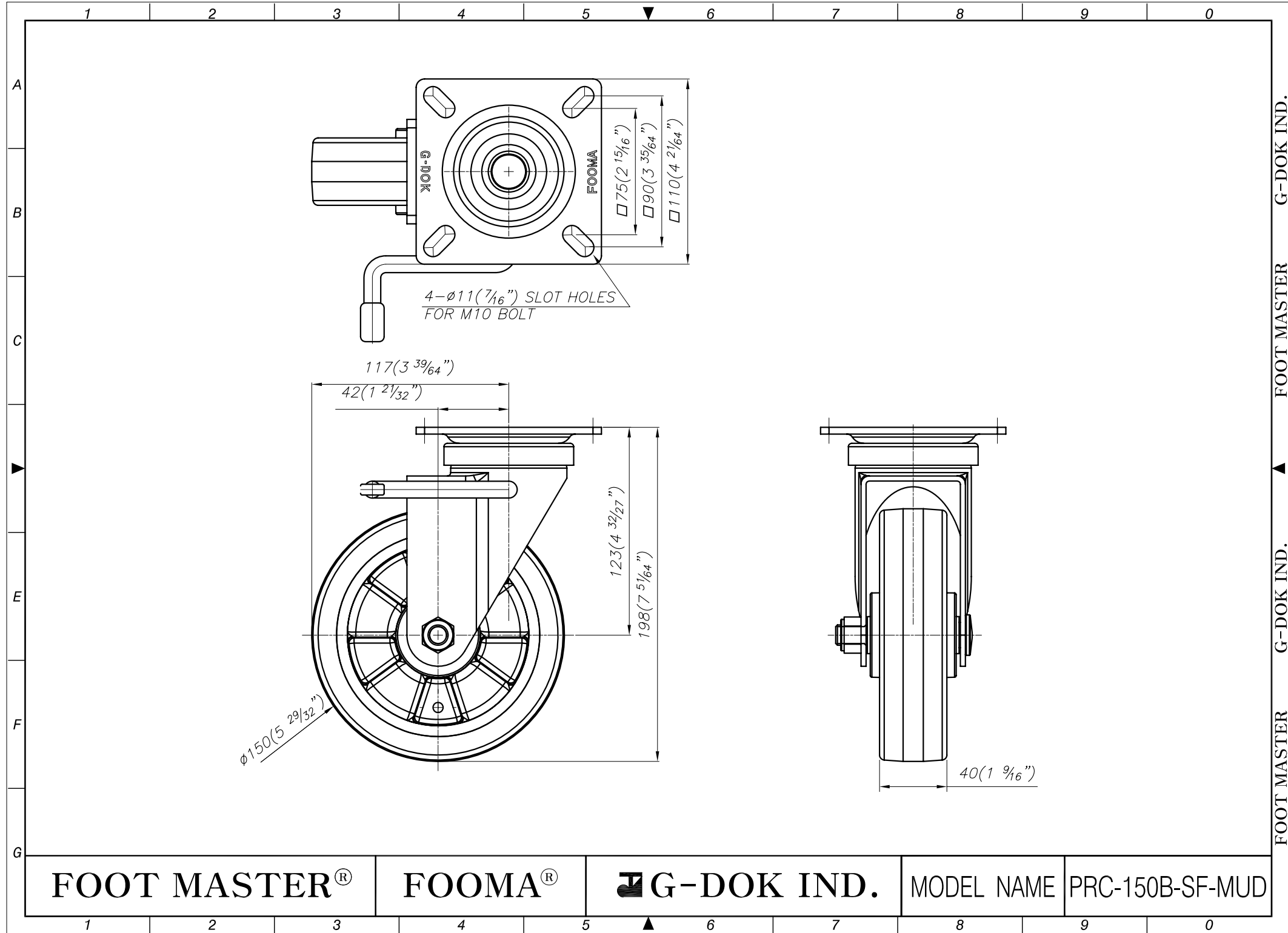
FOOMA®

G-DOK IND.

MODEL NAME

PRC-150A-RF-MUD

FOOT MASTER G-DOK IND. ▲ FOOT MASTER G-DOK IND.



FOOT MASTER G-DOK IND. ▲ FOOT MASTER G-DOK IND. ▲