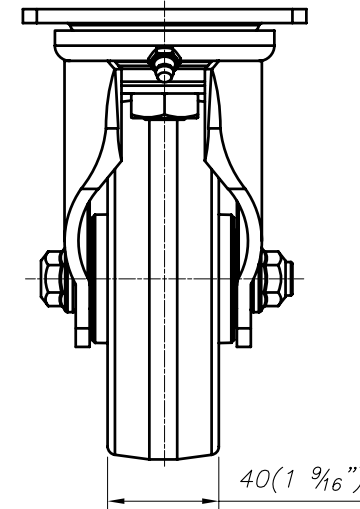
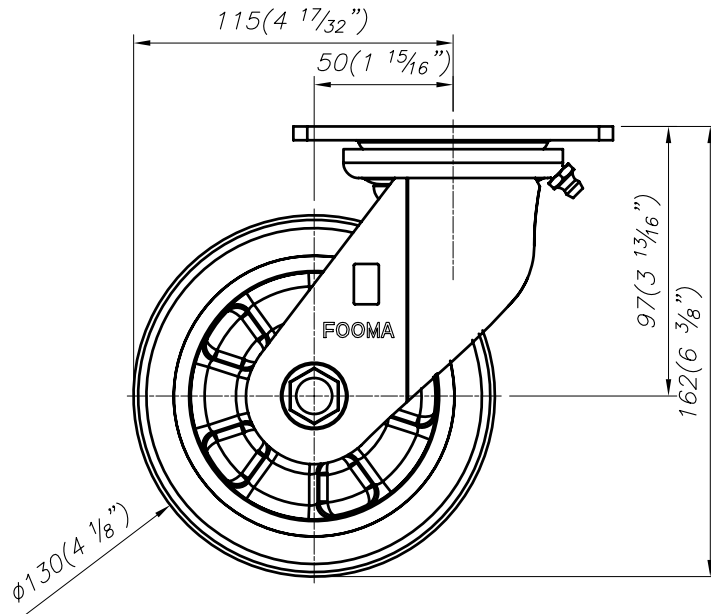


4- $\phi 11(7/16)$ SLOT HOLES
FOR M10 BOLT



FOOT MASTER[®]

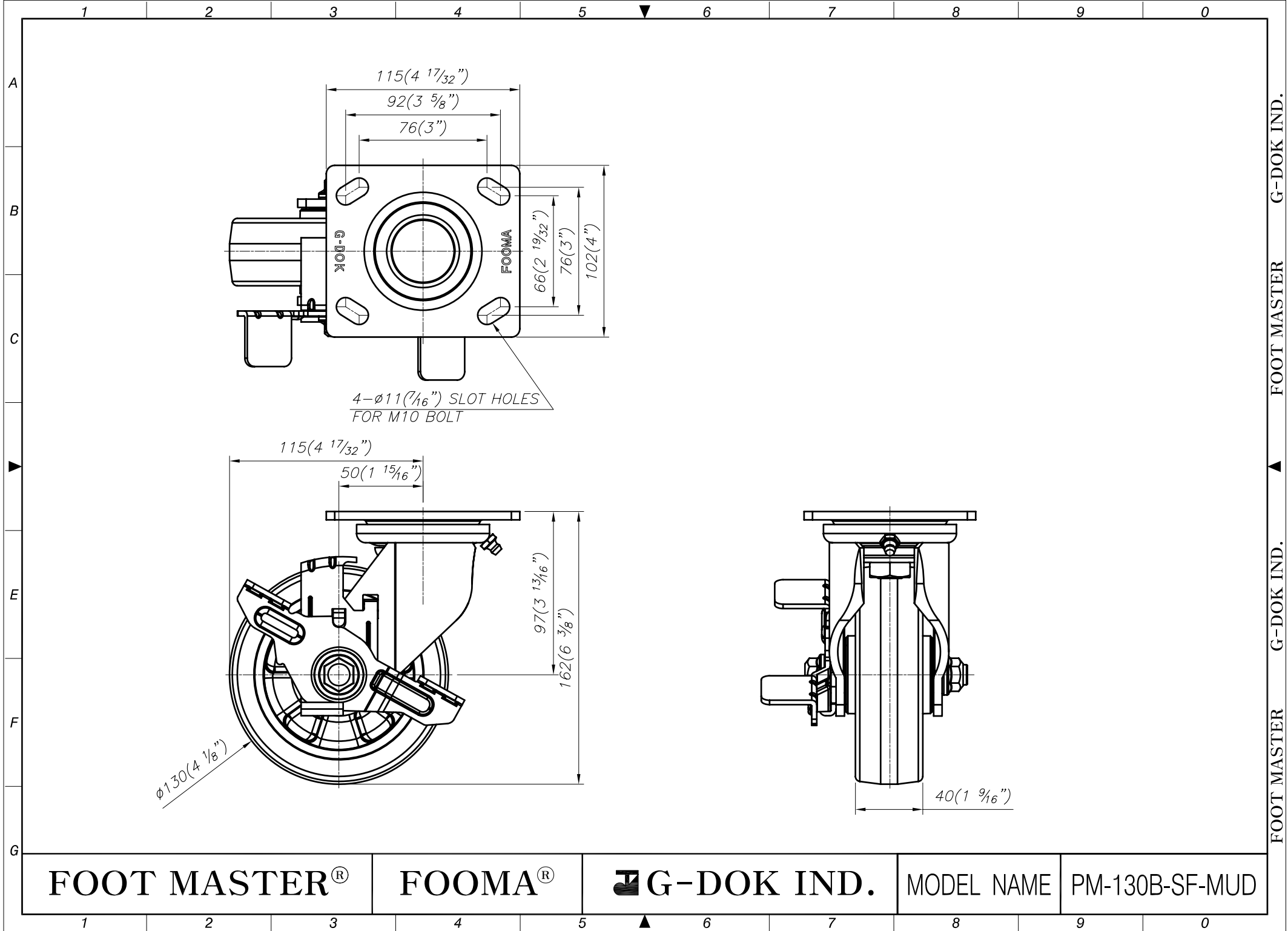
FOOMA[®]

G-DOK IND.

MODEL NAME

PM-130A-SF-MUD

FOOT MASTER G-DOK IND. FOOT MASTER G-DOK IND.



FOOT MASTER®

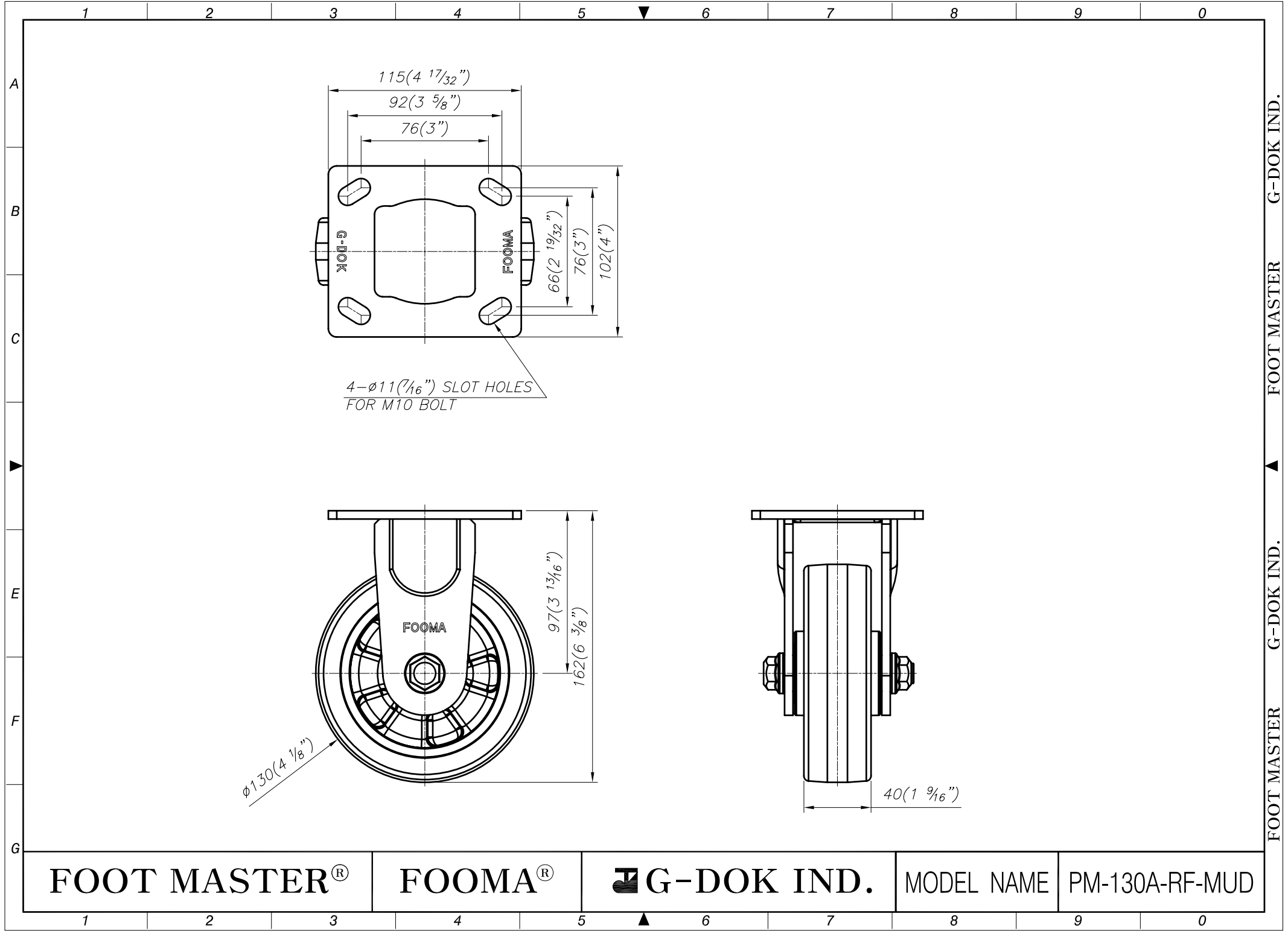
FOOMA®

G-DOK IND.

MODEL NAME

PM-130B-SF-MUD

FOOT MASTER G-DOK IND. FOOT MASTER G-DOK IND.



FOOT MASTER®

FOOMA®

G-DOK IND.

MODEL NAME

PM-130A-RF-MUD

1 2 3 4 5 6 7 8 9 10