

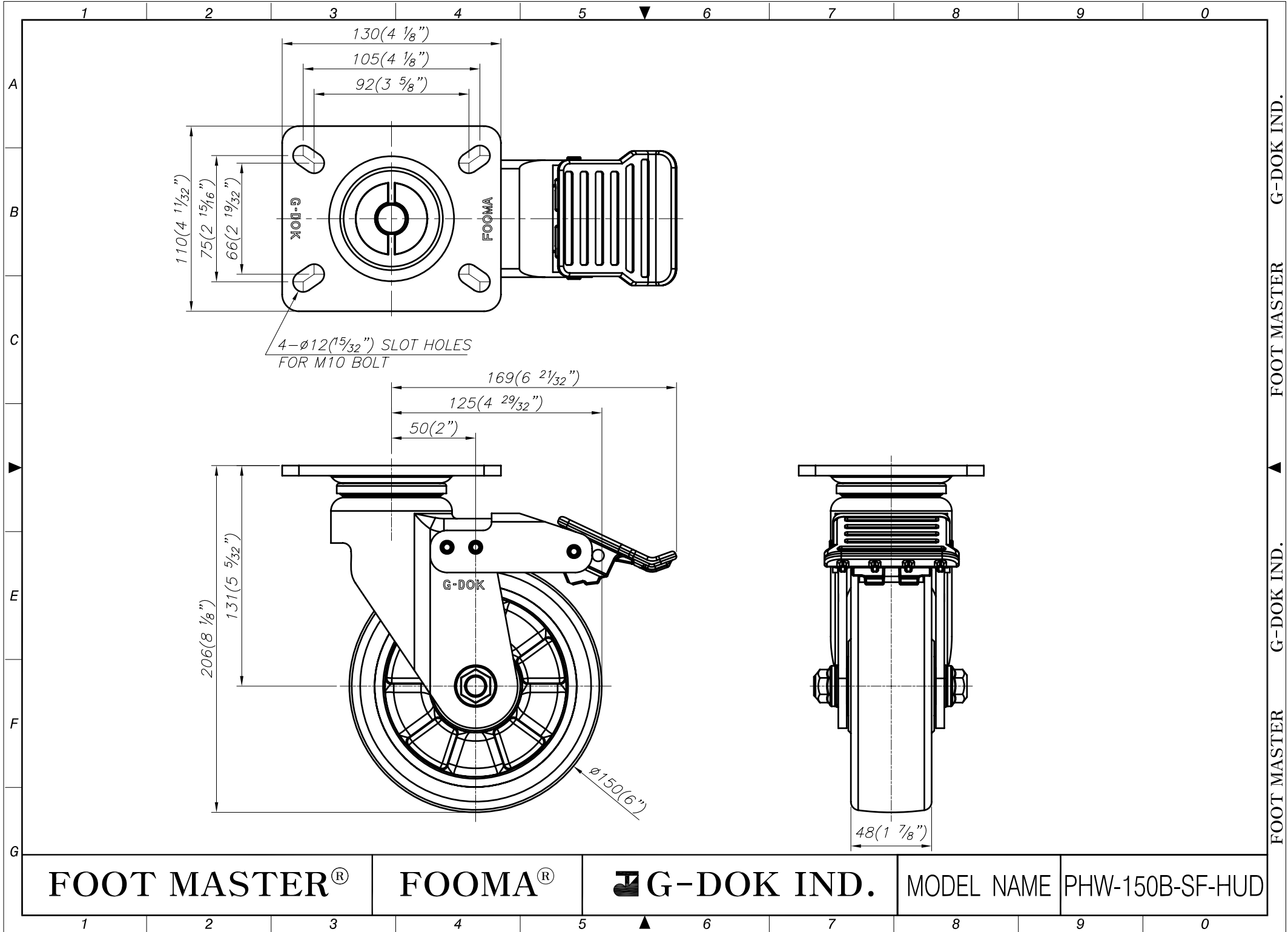
FOOT MASTER®

FOOMA®

G-DOK IND.

MODEL NAME PHW-150A-SF-HUD

FOOT MASTER G-DOK IND. FOOT MASTER G-DOK IND.



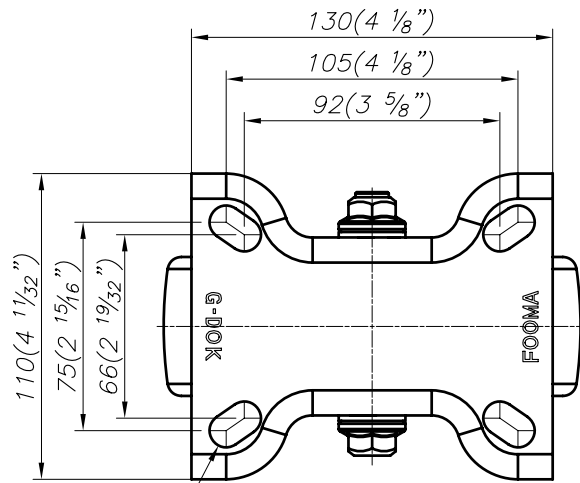
FOOT MASTER®

FOOMA®

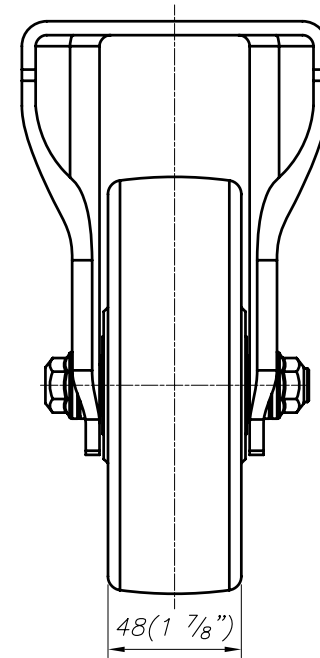
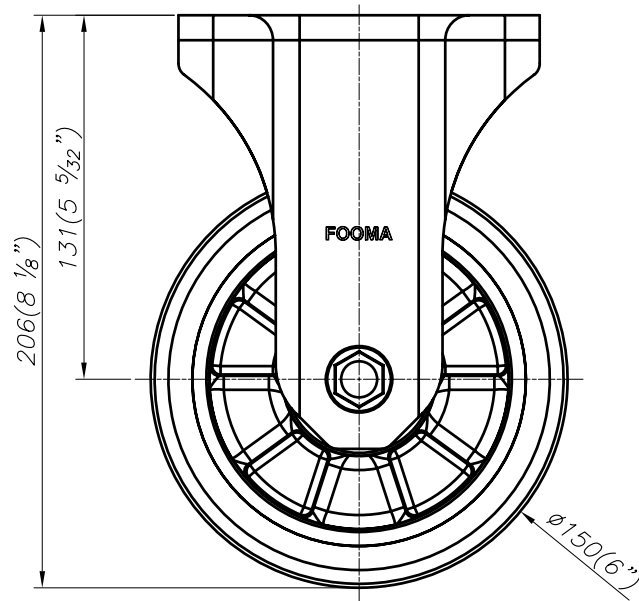
G-DOK IND.

MODEL NAME PHW-150B-SF-HUD

FOOT MASTER G-DOK IND. FOOT MASTER G-DOK IND.



4- $\phi 12(1\frac{5}{32}"$ ) SLOT HOLES  
FOR M10 BOLT



FOOT MASTER®

FOOMA®

G-DOK IND.

MODEL NAME PHW-150A-RF-HUD

FOOT MASTER G-DOK IND. ▲ FOOT MASTER G-DOK IND.