

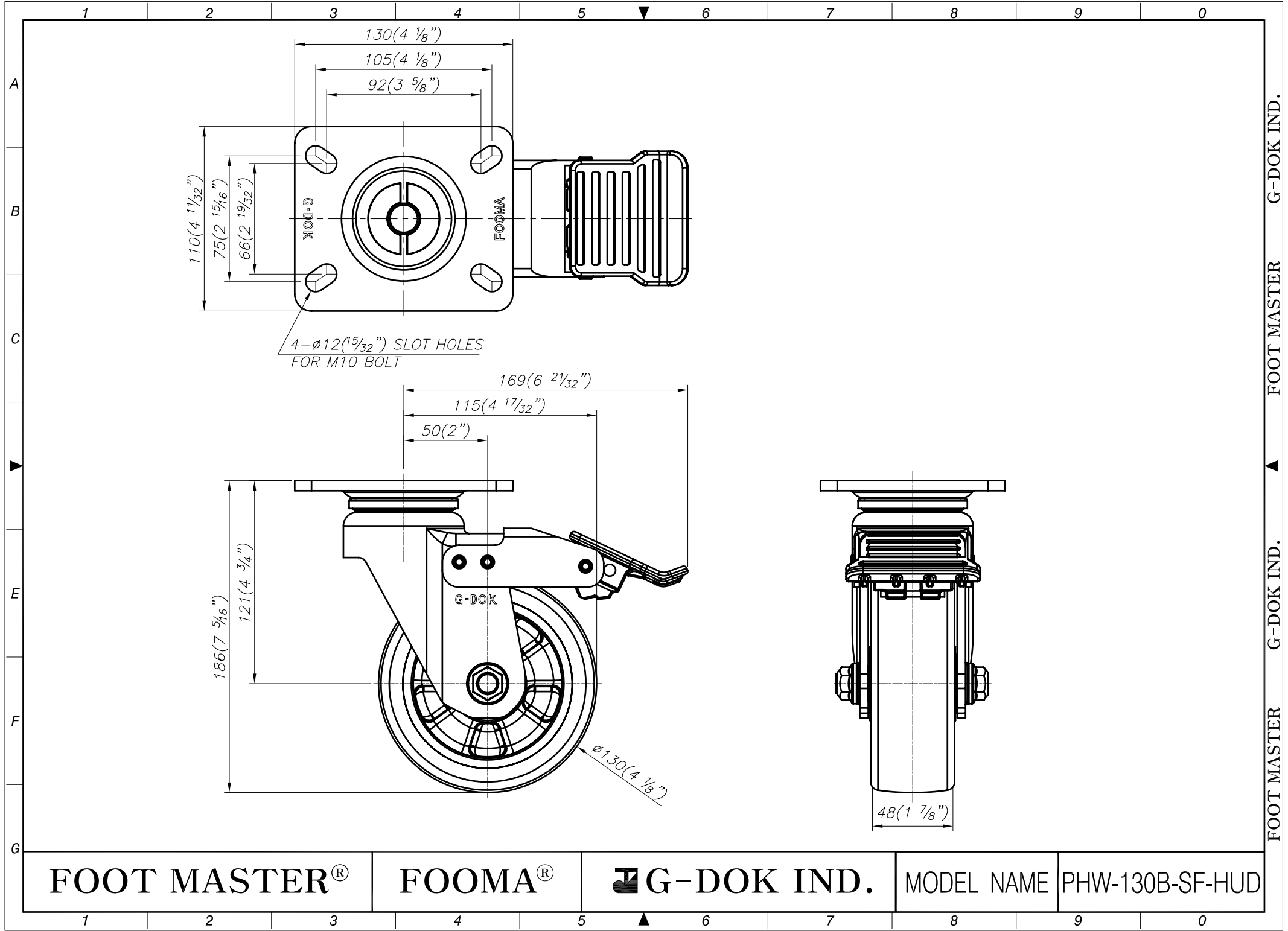
FOOT MASTER®

FOOMA®

G-DOK IND.

MODEL NAME PHW-130A-SF-HUD

FOOT MASTER G-DOK IND. FOOT MASTER G-DOK IND.



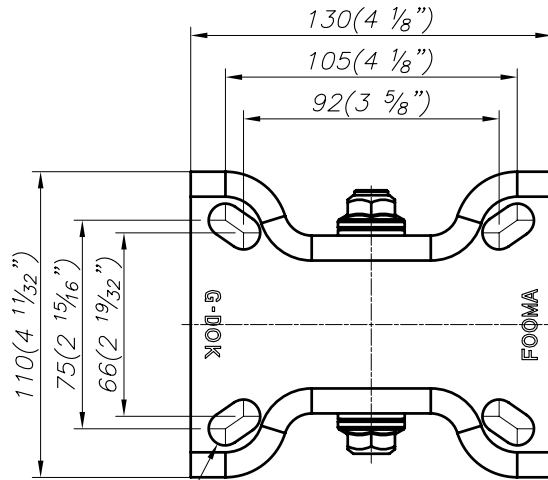
FOOT MASTER®

FOOMA®

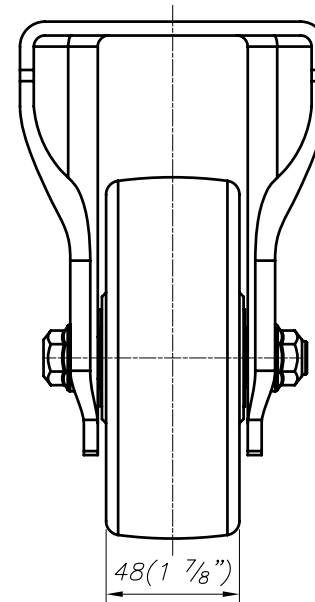
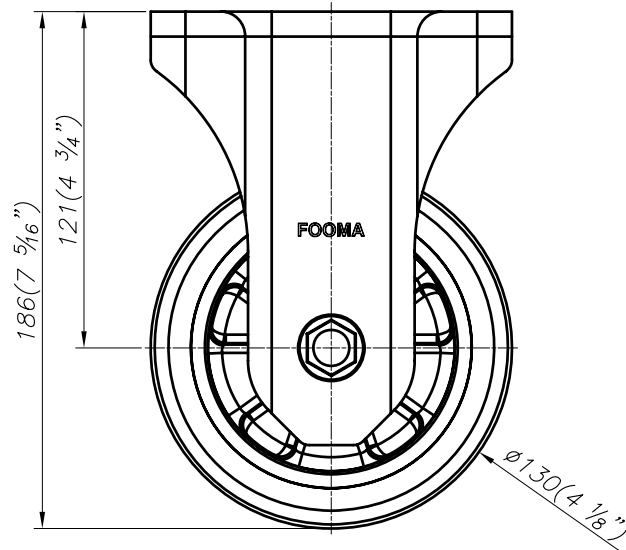
G-DOK IND.

MODEL NAME PHW-130B-SF-HUD

FOOT MASTER G-DOK IND. FOOT MASTER G-DOK IND.



4- $\phi 12(1 \frac{5}{32}'' )$  SLOT HOLES  
FOR M10 BOLT



**FOOT MASTER®**

**FOOMA®**

**G-DOK IND.**

MODEL NAME PHW-130A-RF-HUD

FOOT MASTER G-DOK IND. ▲ FOOT MASTER G-DOK IND. ▼