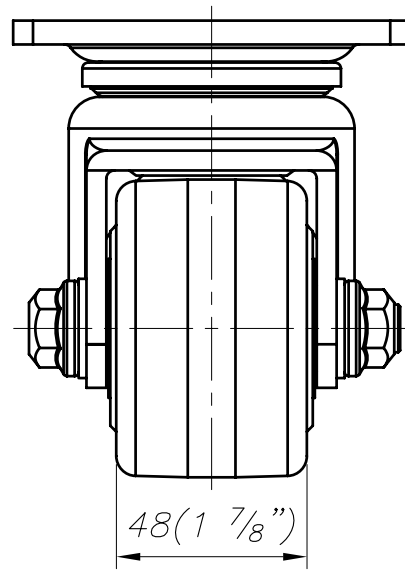
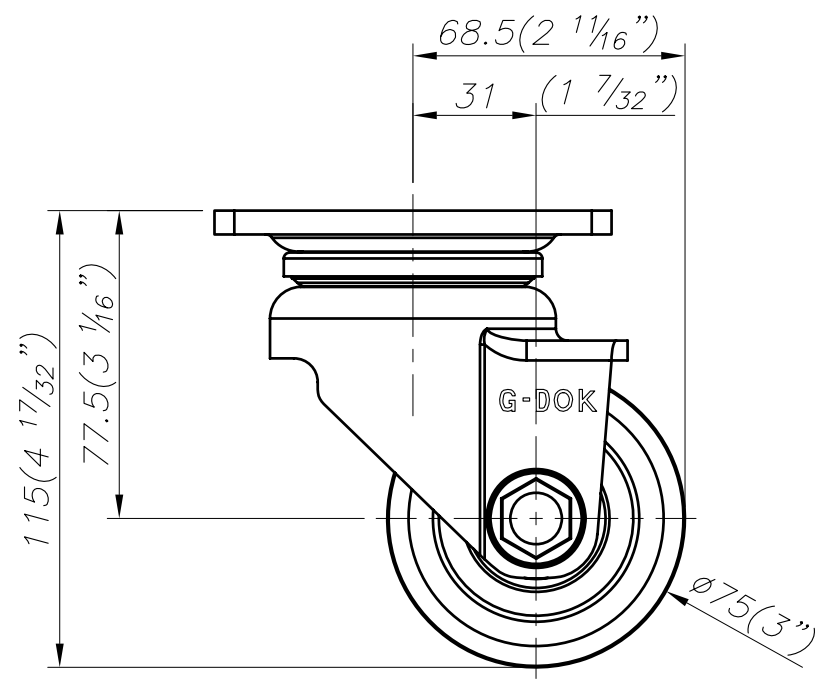


4- $\phi 10.5(13/32)$ SLOT HOLES FOR M10 BOLT



FOOT MASTER[®]

FOOMA[®]

 G-DOK IND.

MODEL NAME

PHS-75A-SF-MCD

G-DOK IND.

FOOT MASTER

G-DOK IND.

FOOT MASTER