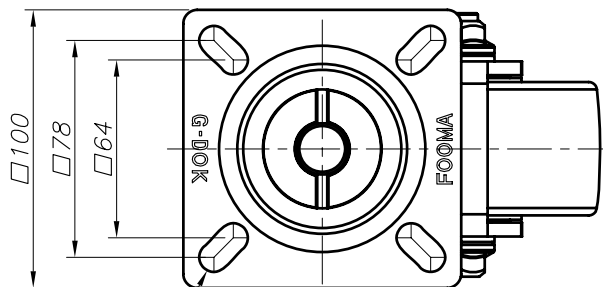


1 2 3 4 5 6 7 8 9 0

A

B

C

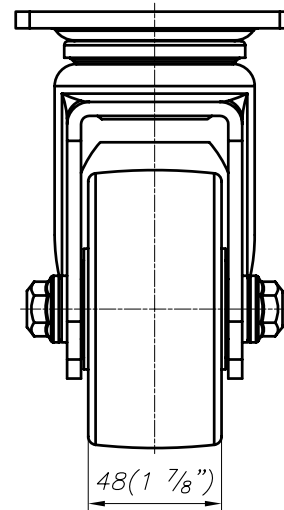
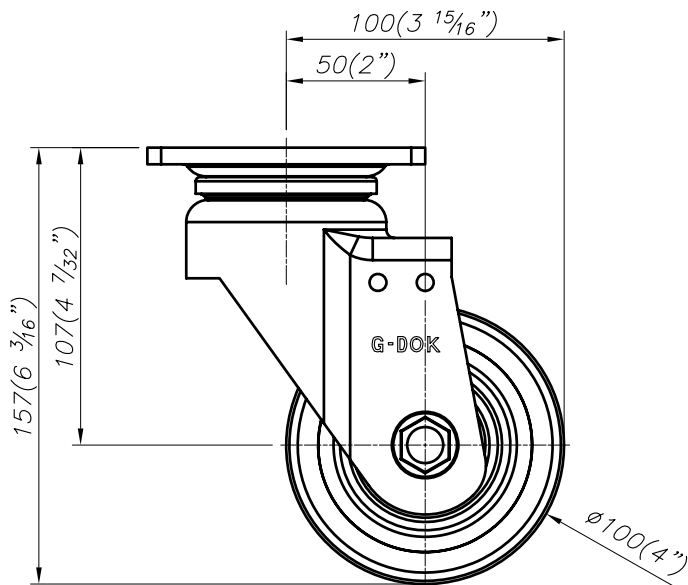


4- $\phi 10.5(13/32)$ SLOT HOLES
FOR M10 BOLT

▶

E

F



G

FOOT MASTER®

FOOMA®

 G-DOK IND.

MODEL NAME

PHS-100A-SF-HUD

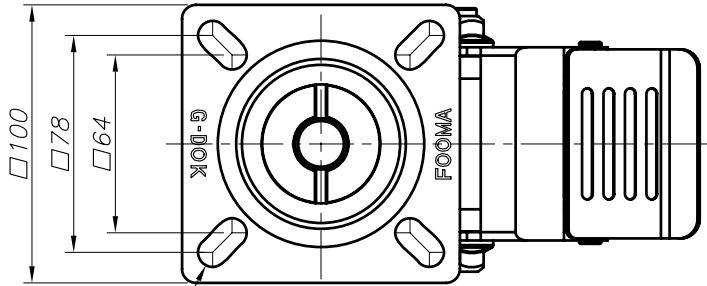
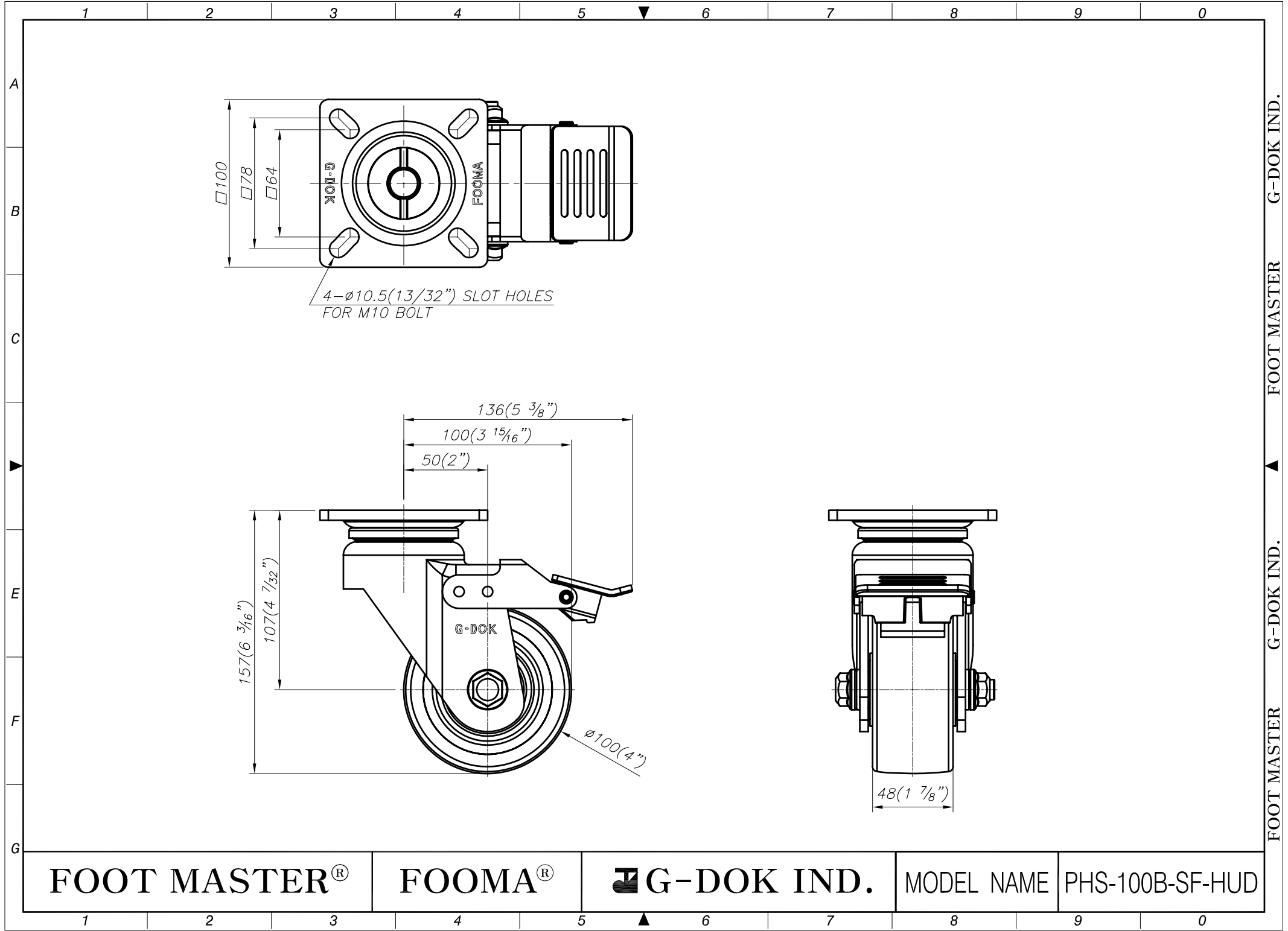
1 2 3 4 5 6 7 8 9 0

G-DOK IND.

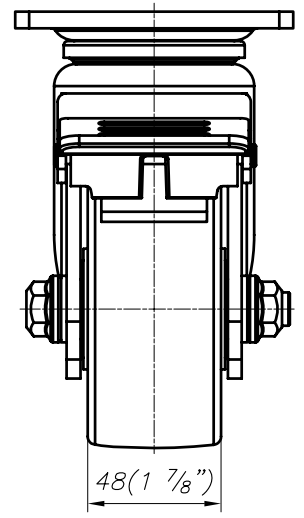
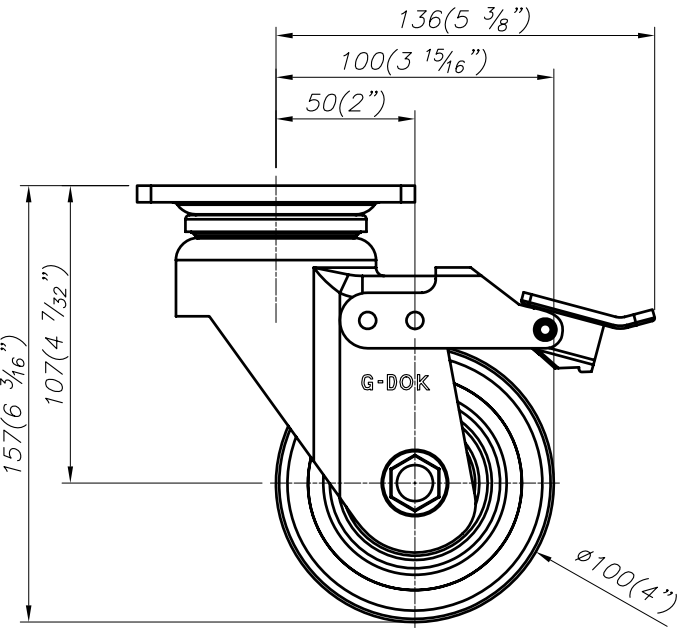
FOOT MASTER

G-DOK IND.

FOOT MASTER



4- $\phi 10.5(13/32)$ SLOT HOLES
FOR M10 BOLT



FOOT MASTER[®]

FOOMA[®]

 G-DOK IND.

MODEL NAME

PHS-100B-SF-HUD

FOOT MASTER G-DOK IND.