

FOOT MASTER®

FOOMA®

G-DOK IND.

MODEL NAME

P-125A-SS-HRD

FOOT MASTER G-DOK IND. FOOT MASTER G-DOK IND.

1 2 3 4 5 6 7 8 9 0

A

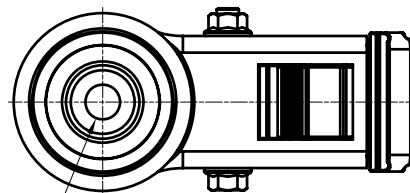
B

C

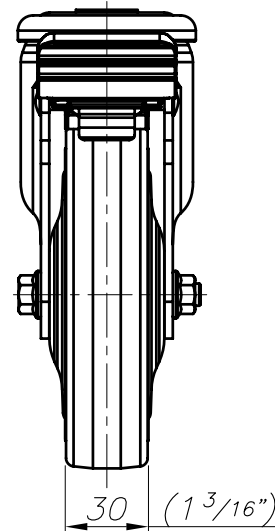
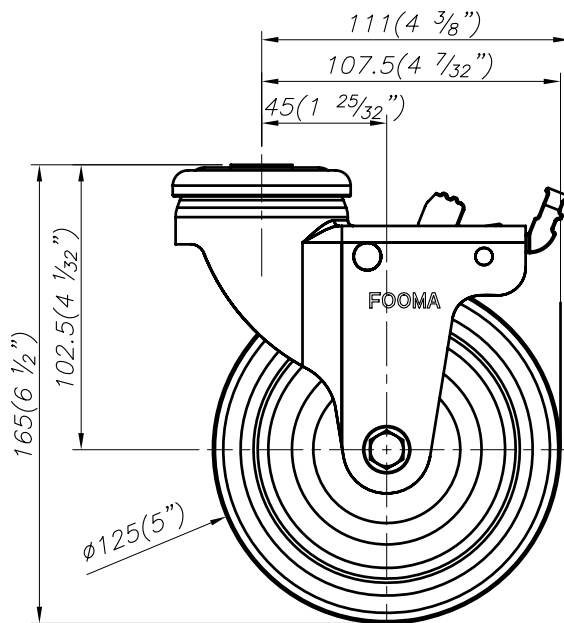
E

F

G



$\phi 12.5$ ($1\frac{5}{32}$ ") HOLES
FOR M12 BOLT



FOOT MASTER®

FOOMA®

G-DOK IND.

MODEL NAME

P-125B-SS-HRD

1 2 3 4 5 6 7 8 9 0

G-DOK IND.

FOOT MASTER

G-DOK IND.

FOOT MASTER