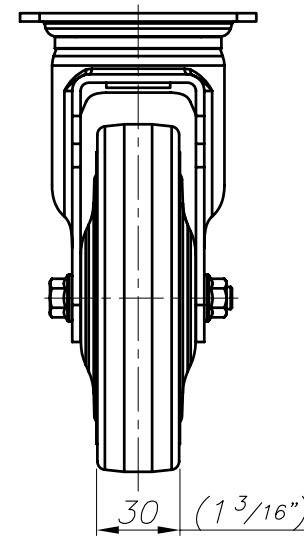
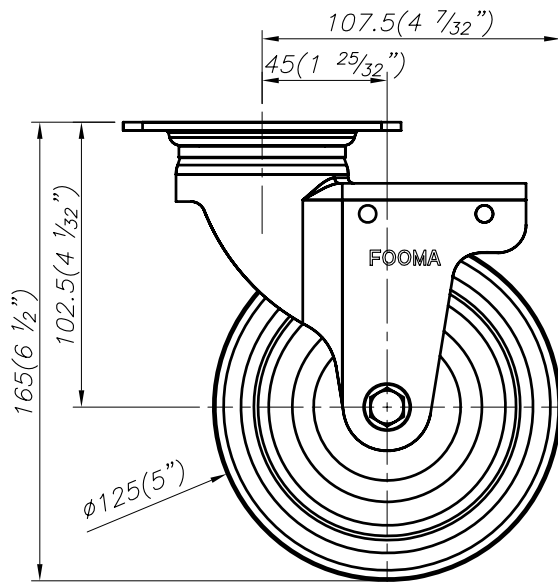


4- $\varnothing 9(1\frac{1}{32})$ SLOT HOLES
FOR M8 BOLT



FOOT MASTER®

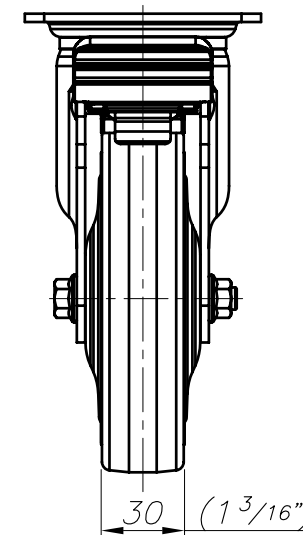
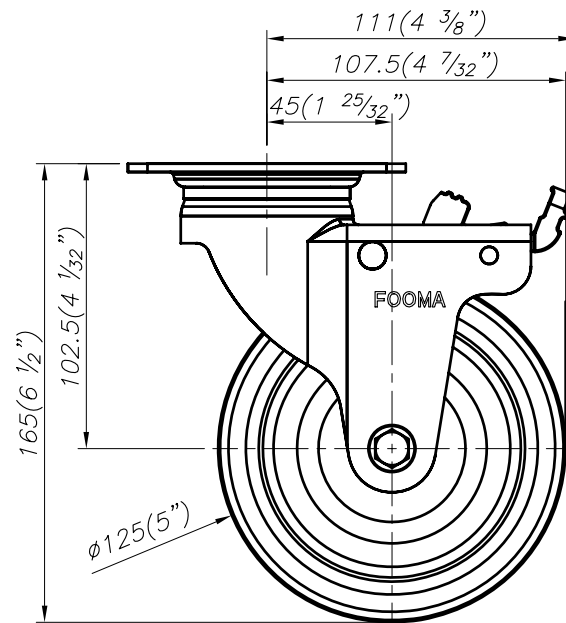
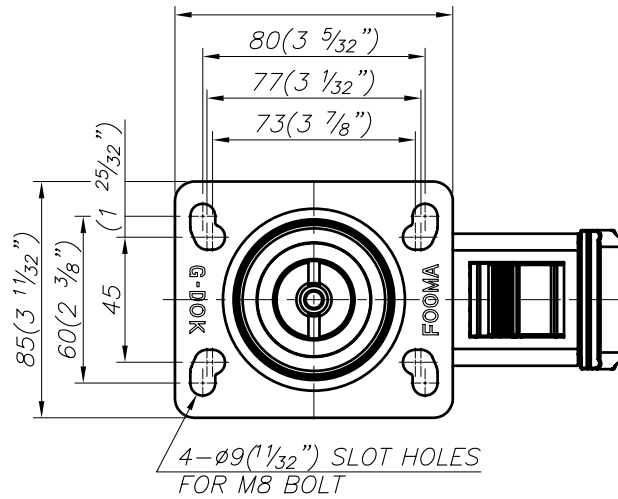
FOOMA®

G-DOK IND.

MODEL NAME

P-125A-SF-HRD

FOOT MASTER G-DOK IND. FOOT MASTER G-DOK IND.



FOOT MASTER®

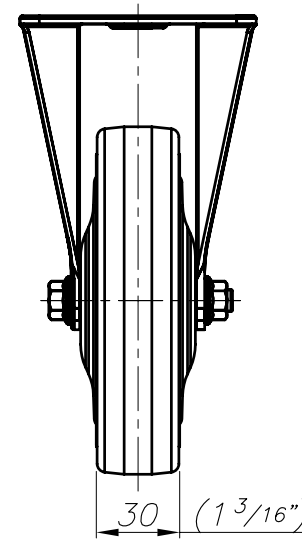
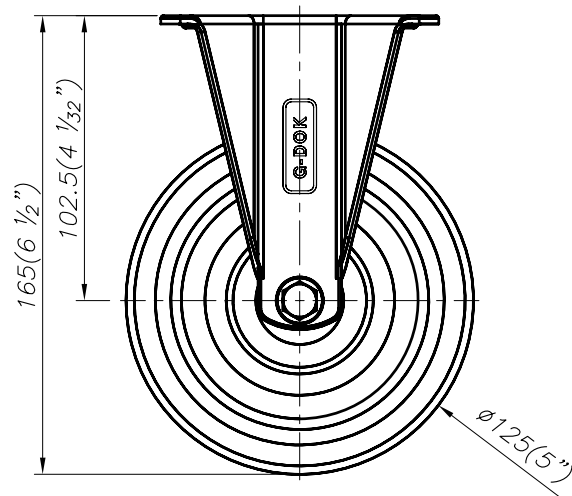
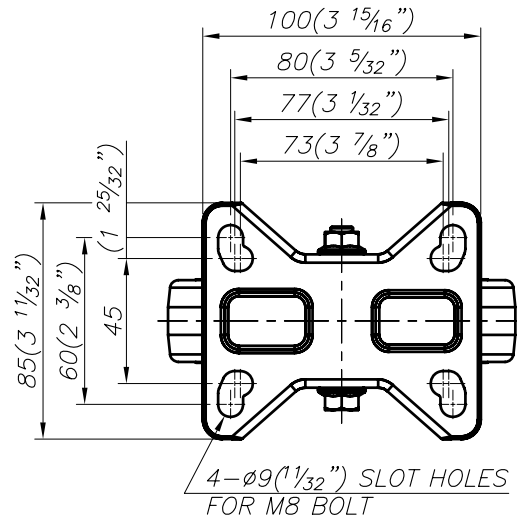
FOOMA®

G-DOK IND.

MODEL NAME

P-125B-SF-HRD

FOOT MASTER G-DOK IND. FOOT MASTER G-DOK IND.



FOOT MASTER®

FOOMA®

G-DOK IND.

MODEL NAME

P-125A-RF-HRD

FOOT MASTER G-DOK IND. FOOT MASTER G-DOK IND. FOOT MASTER G-DOK IND.