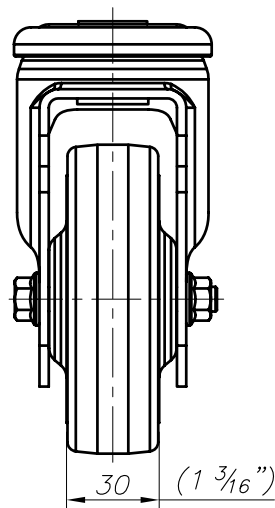
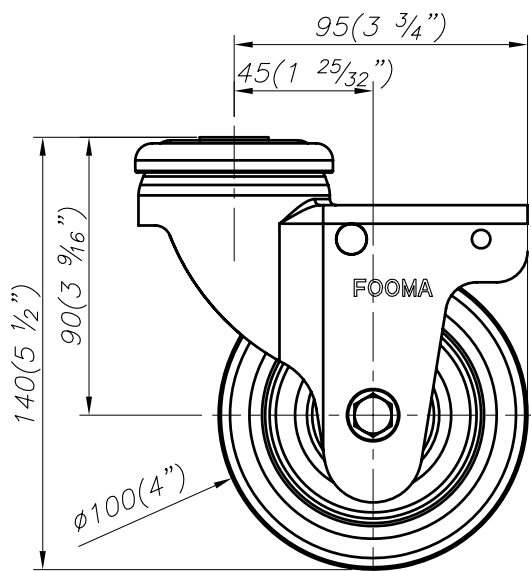


$\phi 12.5$  ( $1\frac{5}{32}$ " ) HOLES  
FOR M12 BOLT



FOOT MASTER<sup>®</sup>

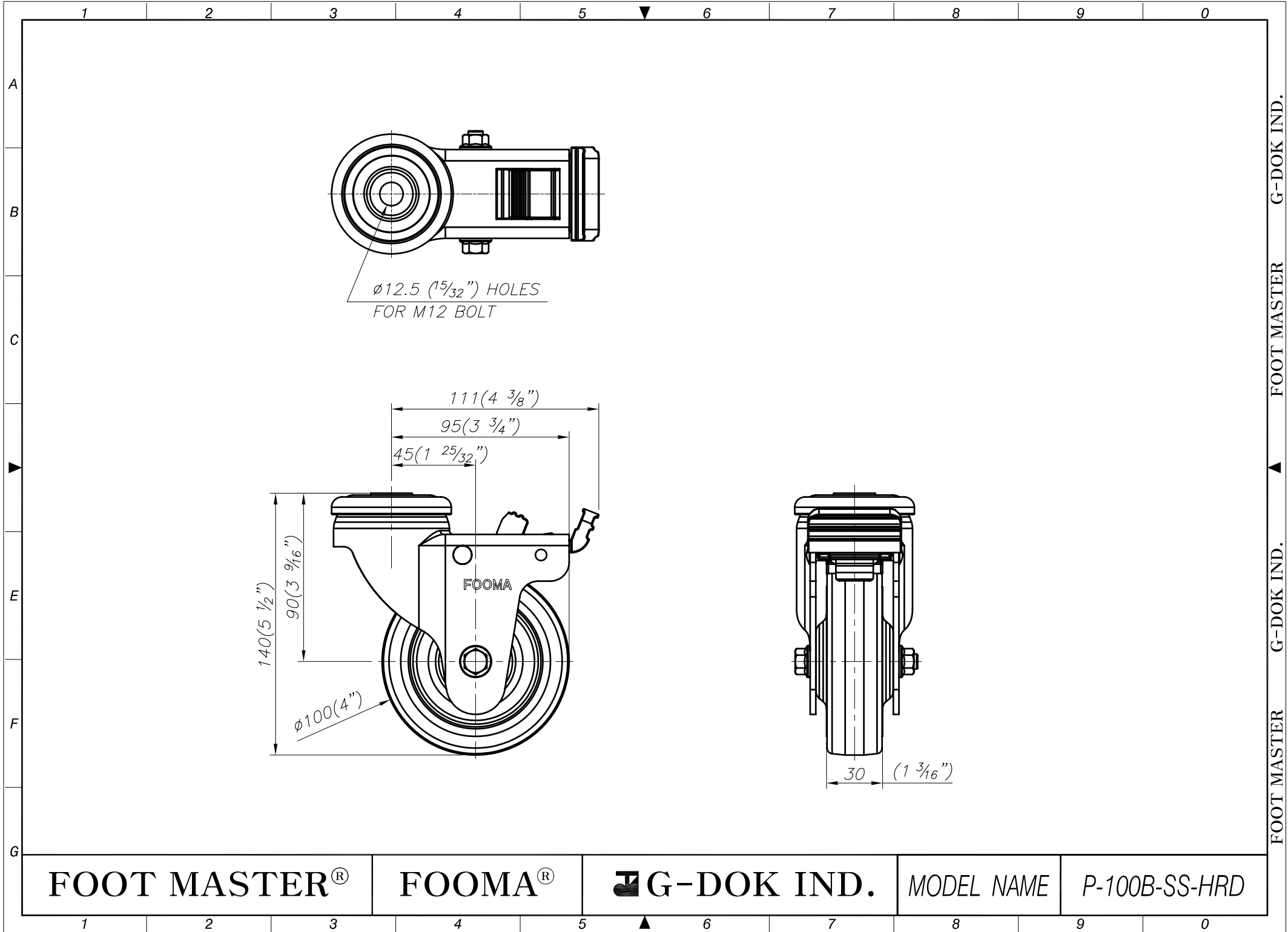
FOOMA<sup>®</sup>

 G-DOK IND.

MODEL NAME

P-100A-SS-HRD

FOOT MASTER G-DOK IND. FOOT MASTER G-DOK IND.



FOOT MASTER®

FOOMA®

G-DOK IND.

MODEL NAME

P-100B-SS-HRD

FOOT MASTER G-DOK IND. FOOT MASTER G-DOK IND.