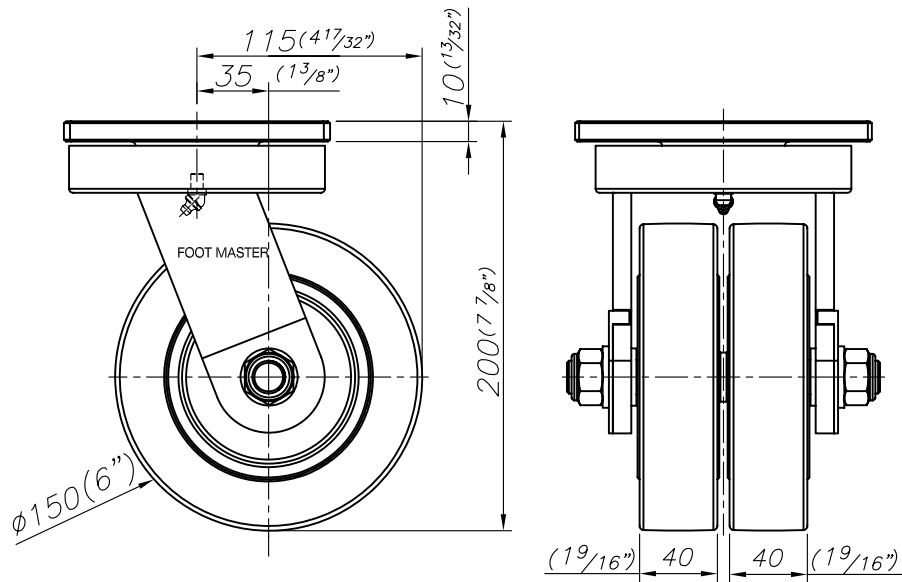
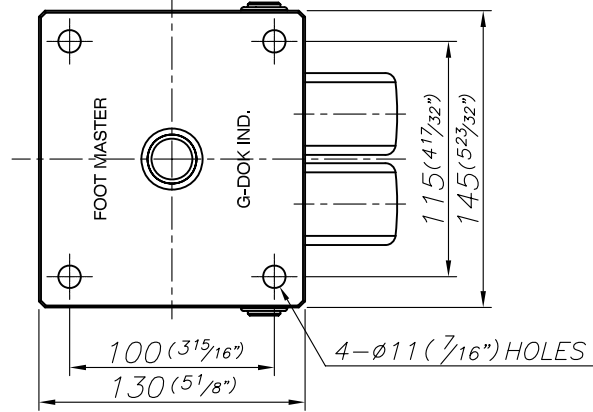


FOOT MASTER G-DOK IND. ▼ FOOT MASTER G-DOK IND.



FOOT MASTER® FOOMA® G-DOK IND. MODEL NAME GXTD-150 SF

A

B

C

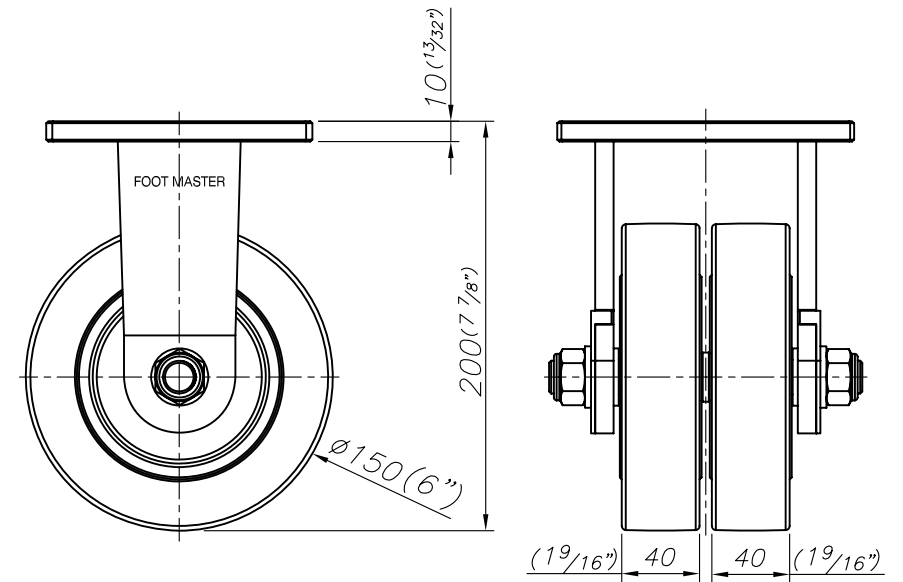
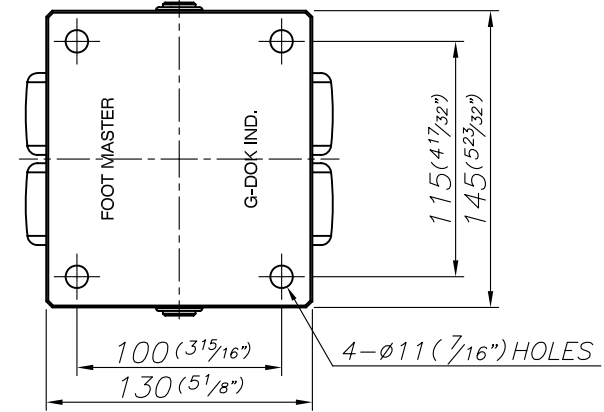
▲

E

F

G

FOOT MASTER G-DOK IND. ▼ FOOT MASTER G-DOK IND.



FOOT MASTER® FOOMA® G-DOK IND. MODEL NAME GXTD-150 RF

A

B

C

▲

E

F

G