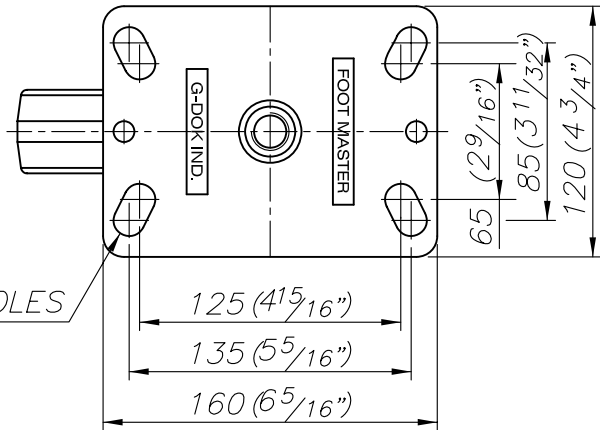
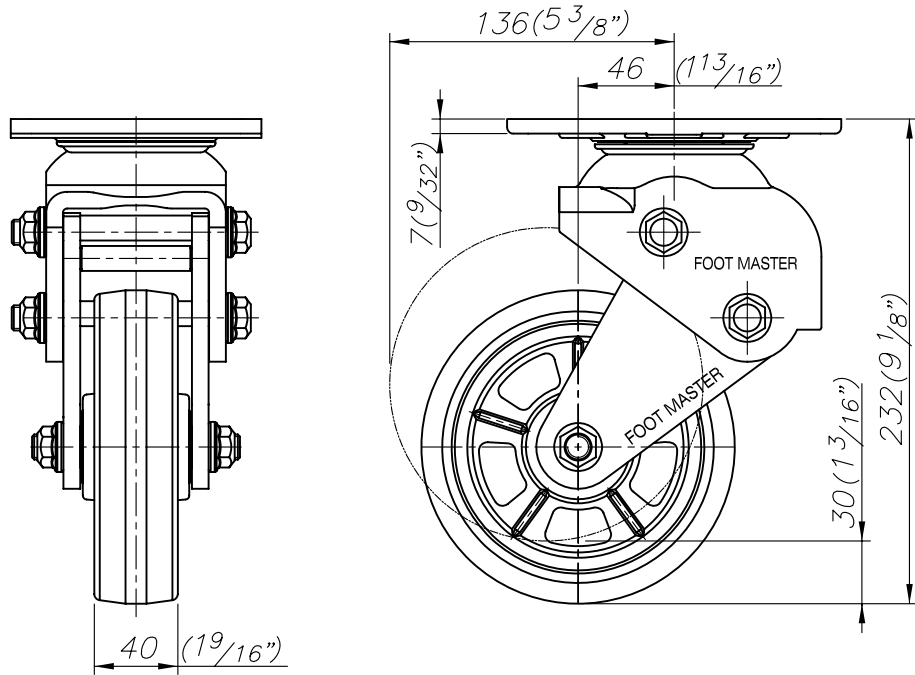


FOOT MASTER G-DOK IND. ▼ FOOT MASTER G-DOK IND.



4- $\varnothing 15 (19/32)$ S/HOLES



FOOT MASTER® FOOMA® G-DOK IND. MODEL NAME GSST-150 A SF, RF

A

B

C

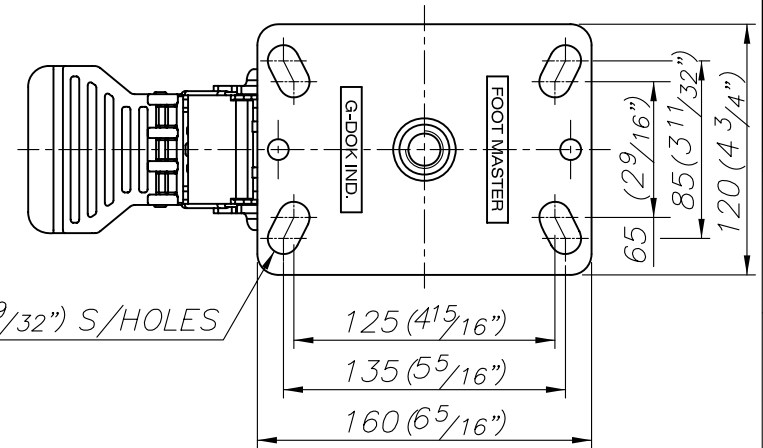
▲

E

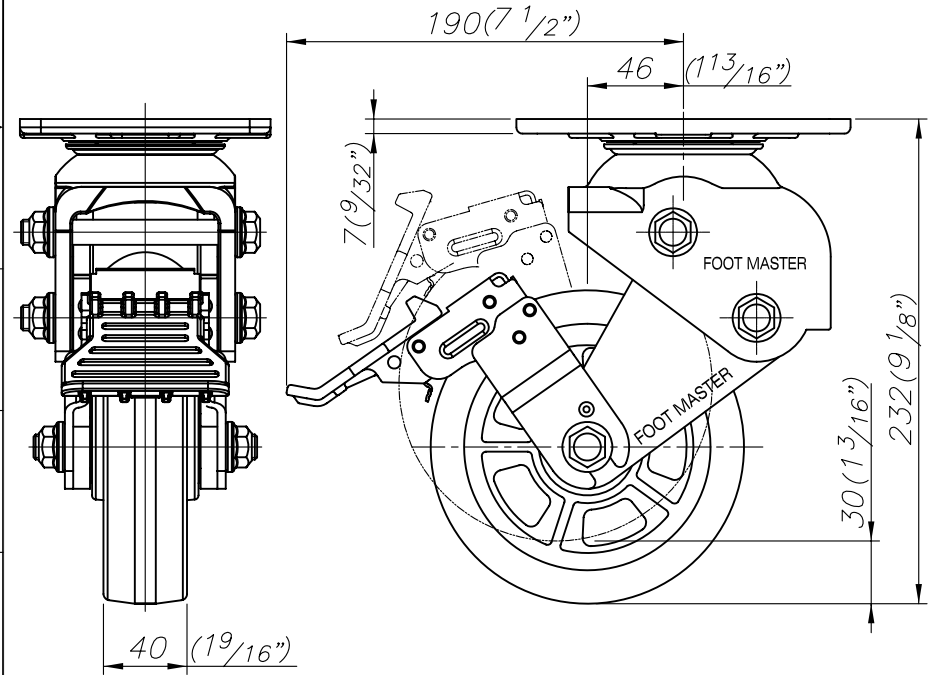
F

G

FOOT MASTER G-DOK IND. ▼ FOOT MASTER G-DOK IND.



4- $\varnothing 15 (19/32)$ S/HOLES



FOOT MASTER® FOOMA® G-DOK IND. MODEL NAME GSST-150 B SF, RF

A

B

C

▲

E

F

G