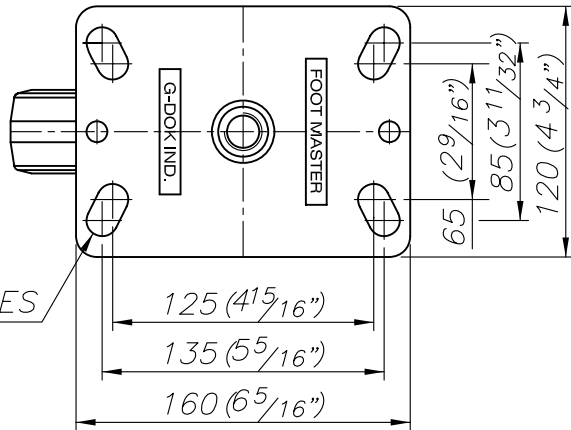
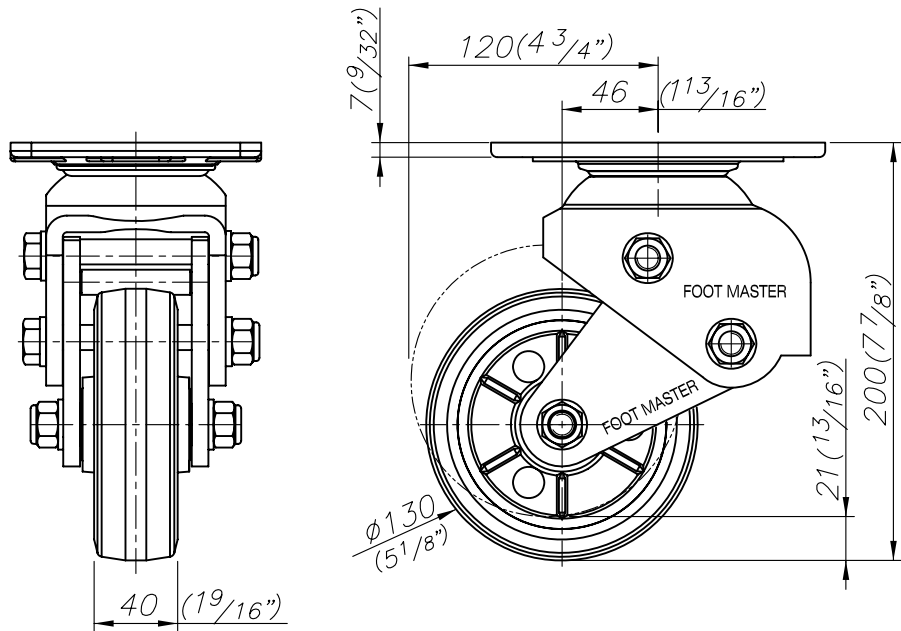


FOOT MASTER G-DOK IND. FOOT MASTER G-DOK IND.



4- $\phi 15$ ($19/32$) S/HOLES



FOOT MASTER® FOOMA® G-DOK IND. MODEL NAME GSST-130 A SF, RF

A

B

C

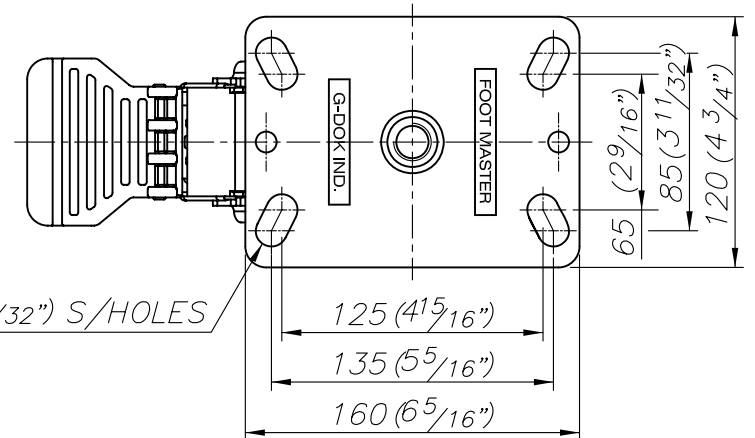
▲

E

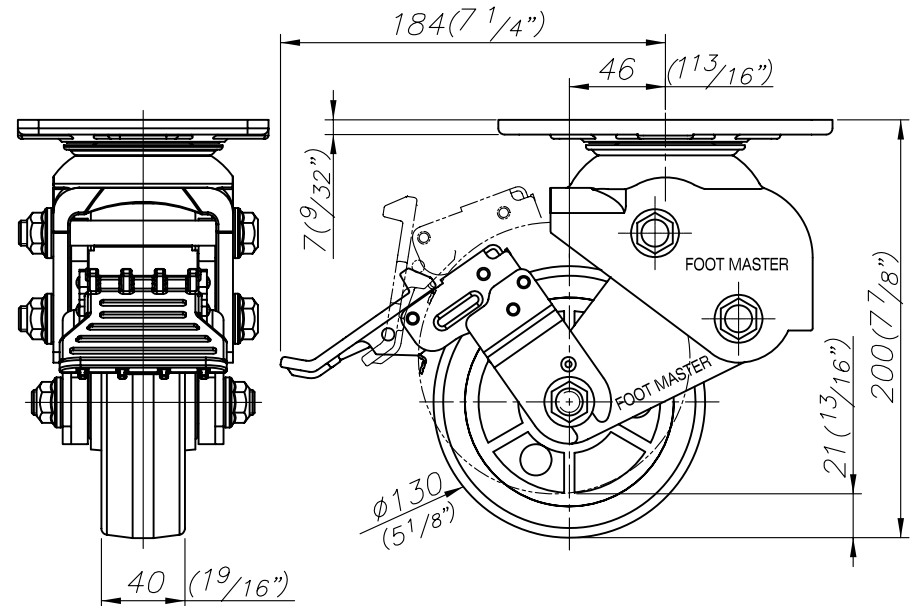
F

G

FOOT MASTER G-DOK IND. FOOT MASTER G-DOK IND.



4- $\phi 15$ ($19/32$) S/HOLES



FOOT MASTER® FOOMA® G-DOK IND. MODEL NAME GSST-130 B SF, RF

A

B

C

▲

E

F

G