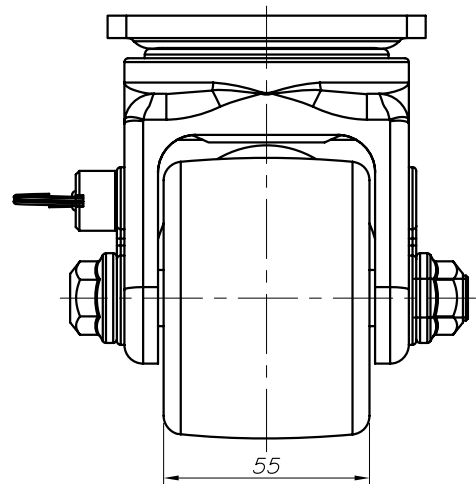
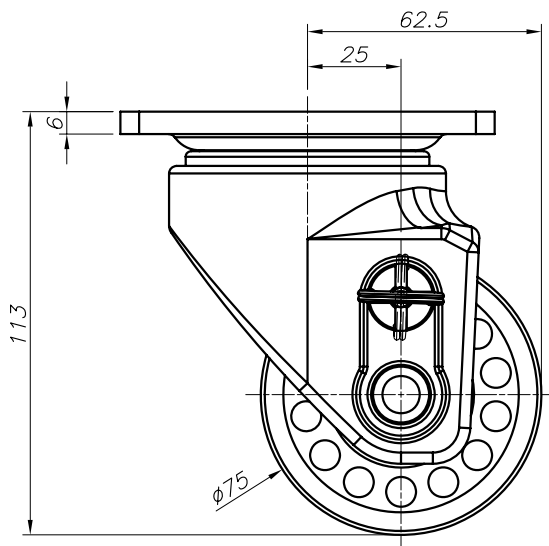
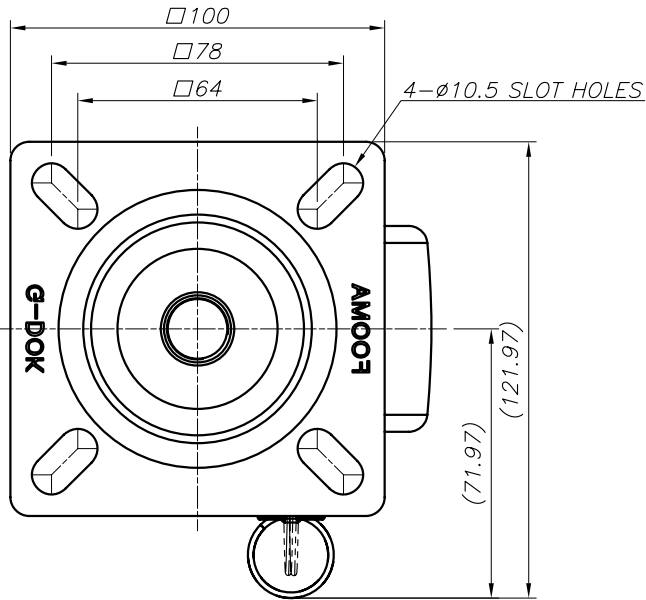


1
2
3
4
5
6
7
8
9
0

1
2
3
4
5
6
7
8
9
0



FOOT MASTER®

FOOMA®

G-DOK IND.

MODEL NAME

GLH-75-SF-PHS

A

B

C

E

F

G