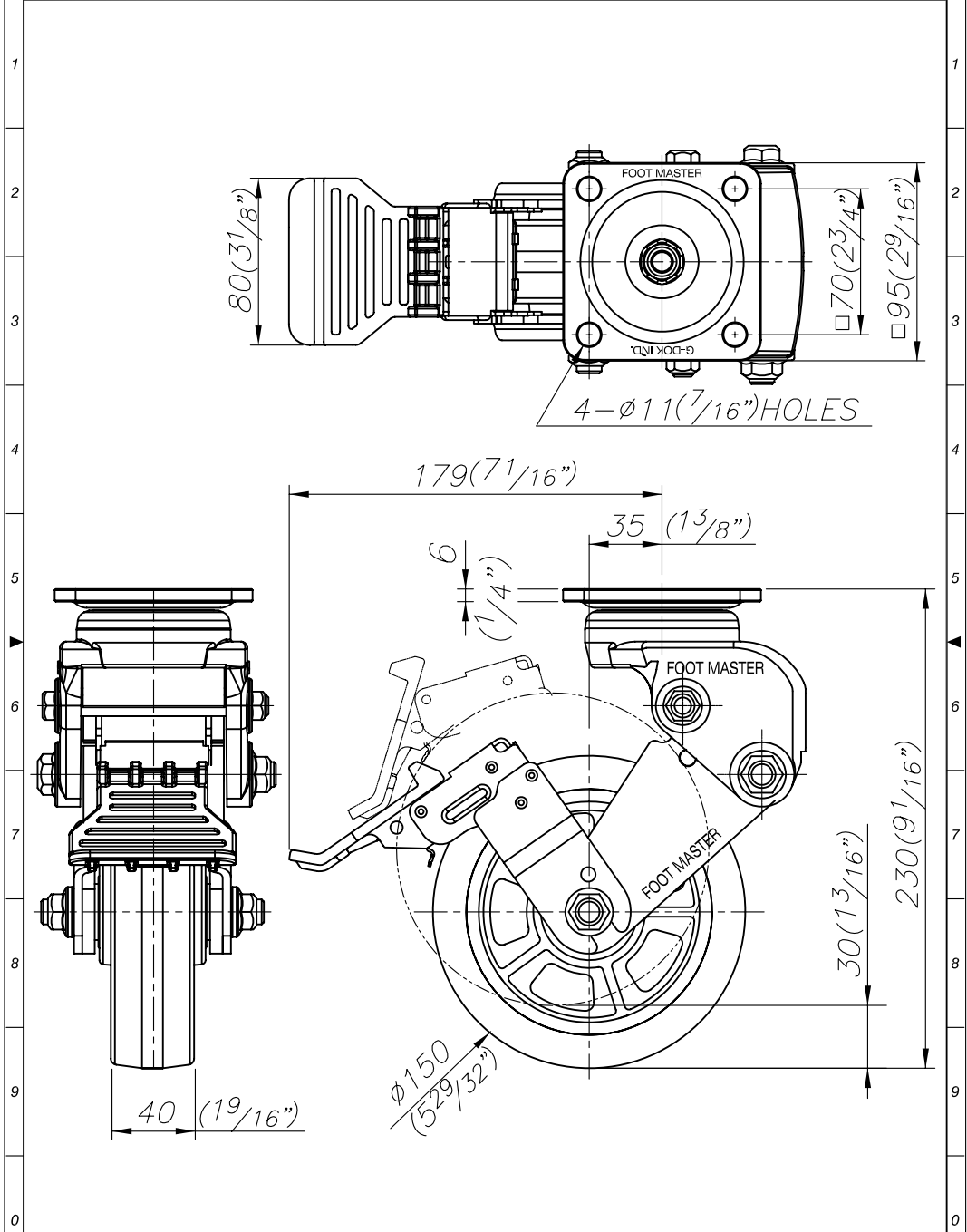


4- $\phi 11(7/16)$  HOLES

126 (4 15/16")  
 35 (1 3/8")  
 6 (1/4")  
 230 (9 1/16")  
 30 (1 3/16")  
 $\phi 150$  (5 29/32")  
 40 (1 9/16")



4- $\phi 11(7/16)$  HOLES

179 (7 1/16")  
 35 (1 3/8")  
 6 (1/4")  
 230 (9 1/16")  
 30 (1 3/16")  
 $\phi 150$  (5 29/32")  
 40 (1 9/16")  
 80 (3 1/8")