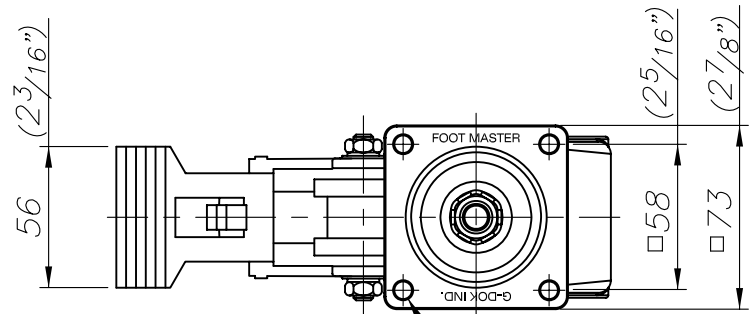
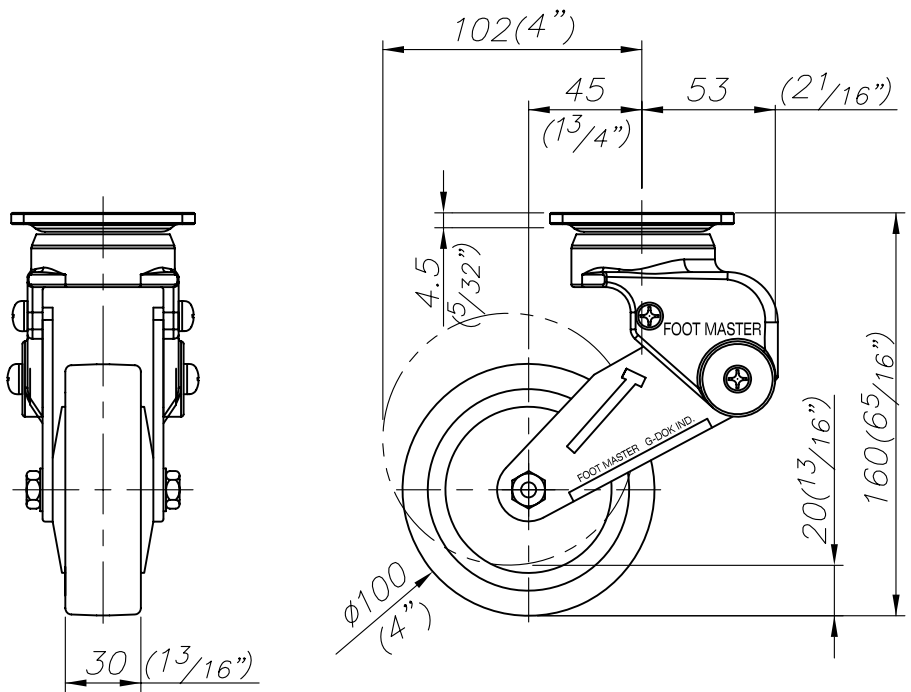


4- $\phi 7$  ( $\frac{9}{32}$ " ) HOLES



4- $\phi 7$  ( $\frac{9}{32}$ " ) HOLES

