

4- $\phi 7$ ($\frac{9}{32}$ \" HOLES

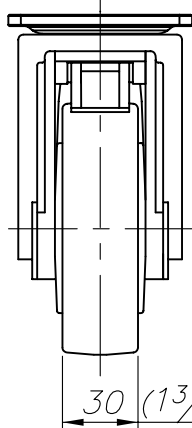
125 ($4\frac{29}{32}$ \"

45 ($1\frac{3}{4}$ \"

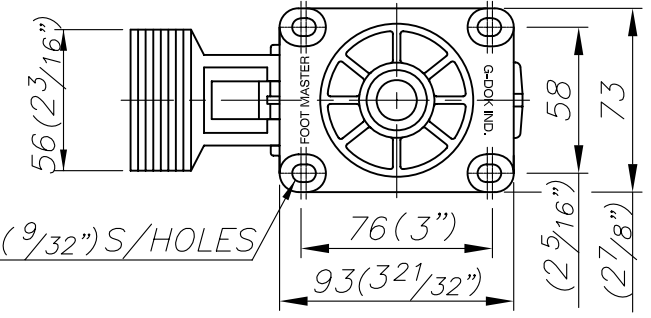
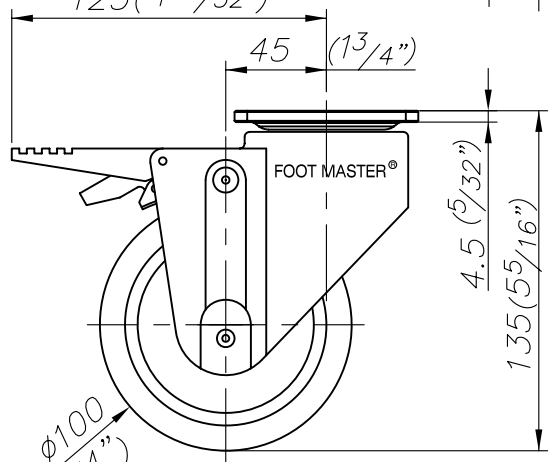
4.5 ($\frac{5}{32}$ \"

135 ($5\frac{5}{16}$ \"

$\phi 100$ (4 \"



30 ($1\frac{3}{16}$ \"



4- $\phi 7$ ($\frac{9}{32}$ \" S/HOLES

76 (3\"

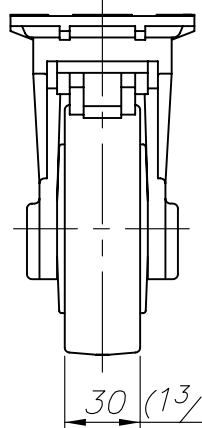
93 ($3\frac{21}{32}$ \"

101 (4\"

6.2 ($\frac{1}{4}$ \"

135 ($5\frac{5}{16}$ \"

$\phi 100$ (4 \"



30 ($1\frac{3}{16}$ \"

