

FOOT MASTER

G-DOK IND.

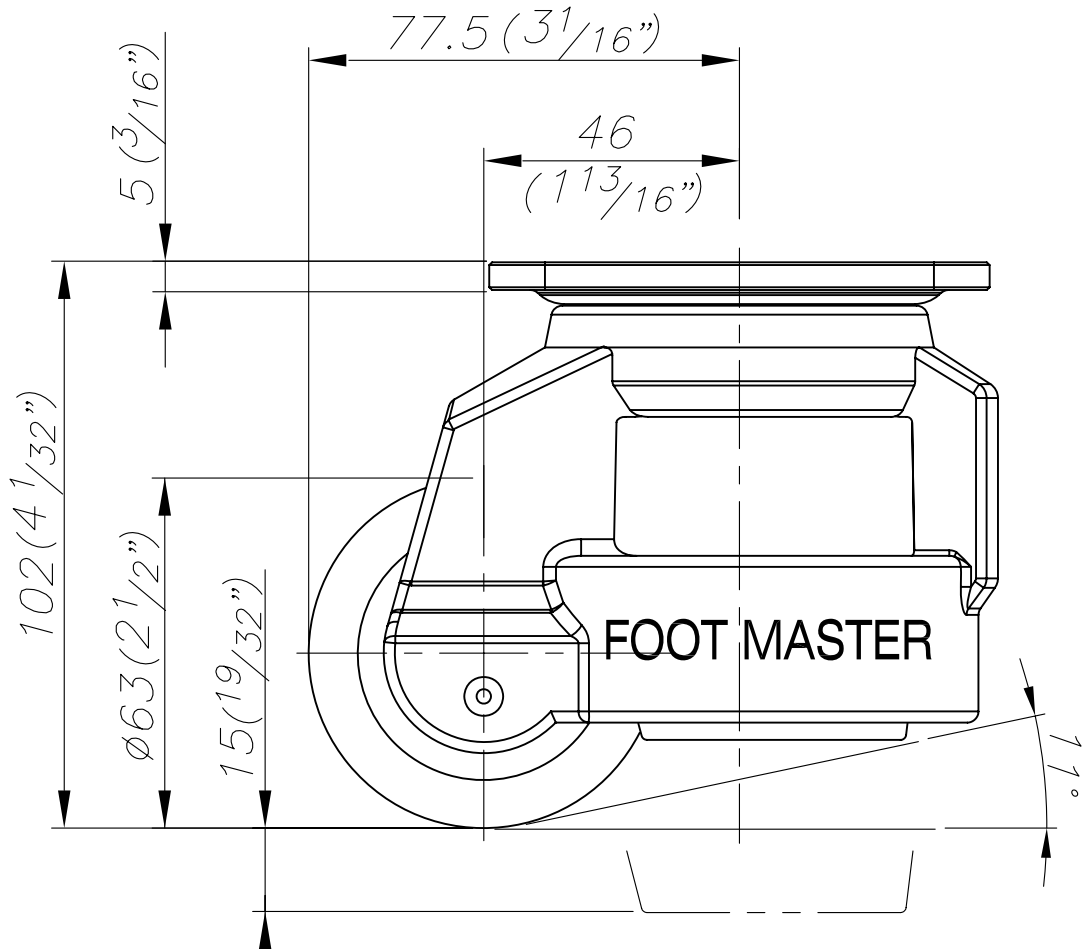
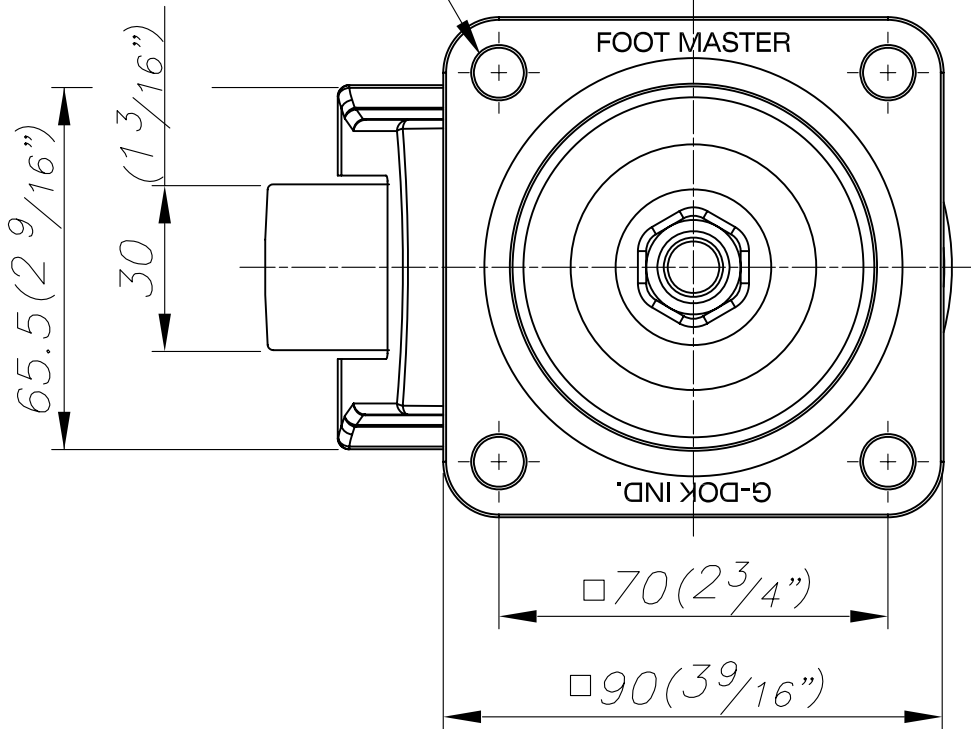
FOOT MASTER

G-DOK IND.

1
2
3
4
5
6
7
8
9
0

1
2
3
4
5
6
7
8
9
0

4- $\phi 9$ ($11/32$ ") HOLES



FOOT MASTER®

FOOMA®

G-DOK IND.

MODEL NAME

GD-80 F

A

B

C

E

F

G