

FOOT MASTER®

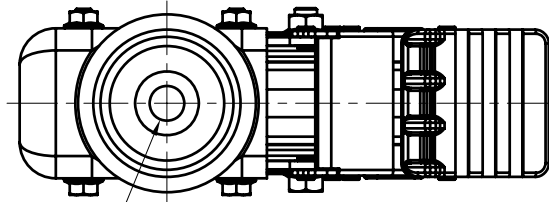
FOOMA®

G-DOK IND.

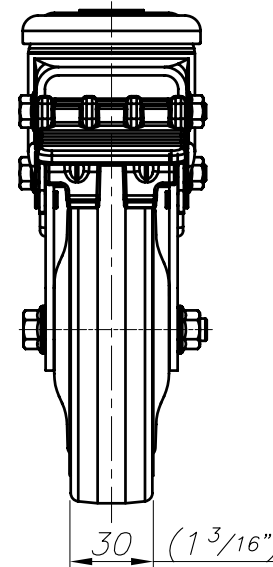
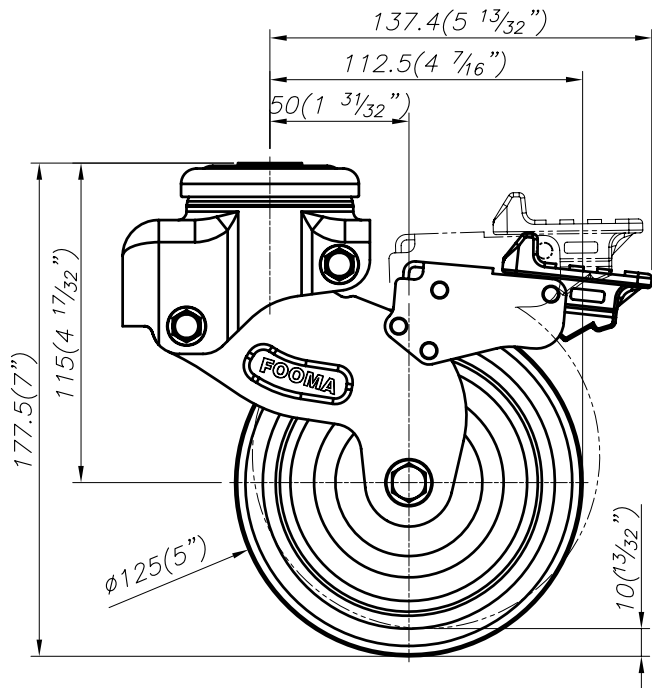
MODEL NAME

G-125A-SS-HRD

FOOT MASTER G-DOK IND. FOOT MASTER G-DOK IND.



$\phi 12.5$  ( $1\frac{5}{32}$ " ) HOLES  
FOR M12 BOLT



FOOT MASTER®

FOOMA®

G-DOK IND.

MODEL NAME

G-125B-SS-HRD

FOOT MASTER G-DOK IND. ▲